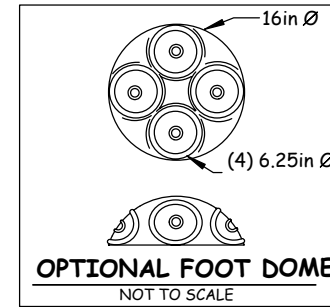


PLAN
NOT TO SCALE

SPECIFICATIONS

- 93" L X 93" W X 37" DEEP
- WATER VOLUME - 580+/- GAL
- SEATS 7 ADULTS
- SOFA CONTOUR
- LOUNGE CONTOUR
- SLIP RESISTANT STEPS & BOTTOM
- SHIP WEIGHT 655 LBS+/- WITH CRATE



OPTIONAL FOOT DOME
NOT TO SCALE

CARO FOAM
REINFORCING
@ STRESS POINTS

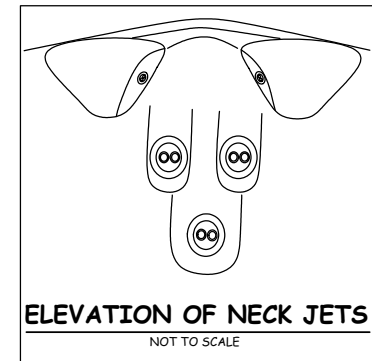
EXTERIOR
FIBERGLASS
COATING



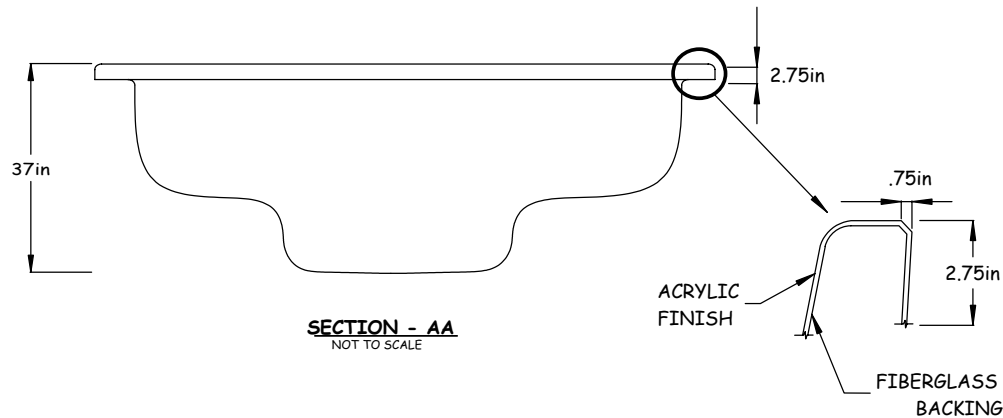
TYP. WALL SECTION
NOT TO SCALE

ICI LUCITE XL
.125 ACRYLIC
OR EQUAL

1/4" NOM. THK.
FIBERGLASS
30/70 GLASS
TO RESIN MIX
OR EQUAL



ELEVATION OF NECK JETS
NOT TO SCALE



SECTION - AA
NOT TO SCALE

*ULTIMATE AVAILABLE IN PLATINUM PACKAGE ONLY.
JET LOCATION AND QUANTITY
MAY VARY ACCORDING TO PACKAGE,
PLATINUM PACKAGE SHOWN.*

IZZI Bath & Spa
19250 N. U.S. Hwy 27
Clermont, FL 34711

TITLE:

ULTIMATE SPA

SIZE:
A

DWG NO: 1

REV:
1

SCALE:
AS NOTED

SHEET: 1 OF 2

1-800-214-7440 ~ 352-394-8399 ~ Fax 352-394-2101