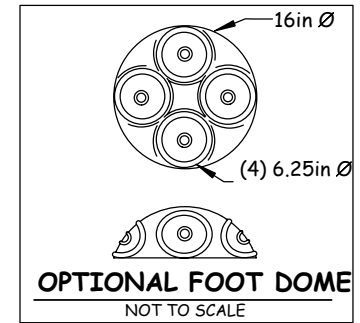


PLAN
NOT TO SCALE

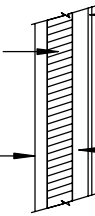
SPECIFICATIONS

- 93" L X 93" W X 34" DEEP
- WATER VOLUME - 400 +/- GAL
- SEATS 8 ADULTS
- SOFA CONTOUR
- LOUNGE CONTOUR
- SLIP RESISTANT STEPS & BOTTOM
- SHIP WEIGHT 420 LBS +/- WITH CRATE



CARO FOAM
REINFORCING
@ STRESS POINTS

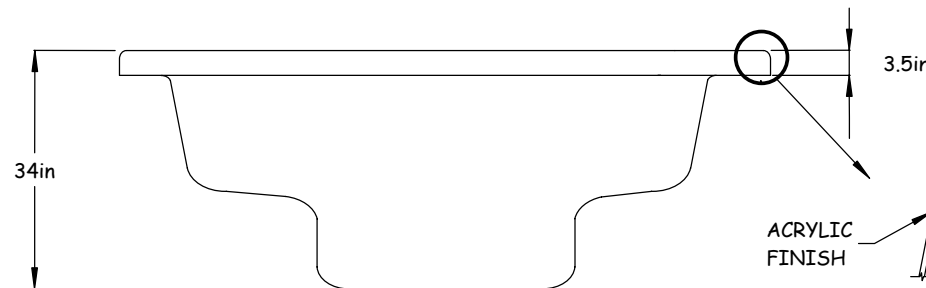
EXTERIOR
FIBERGLASS
COATING



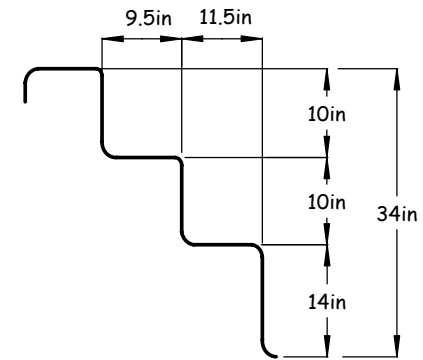
ICI LUCITE XL
.125 ACRYLIC
OR EQUAL

1/4" NOM. THK.
FIBERGLASS
30/70 GLASS
TO RESIN MIX
OR EQUAL

TYP. WALL SECTION
NOT TO SCALE



SECTION - AA
NOT TO SCALE



SECTION - BB

IZZI Bath & Spa
19250 N. U.S. Hwy 27
Clermont, FL 34711

TITLE:

OCTA SPA

SIZE:
A

DWG NO: **1**

REV:
1

SCALE:
AS NOTED

SHEET: **1 OF 2**