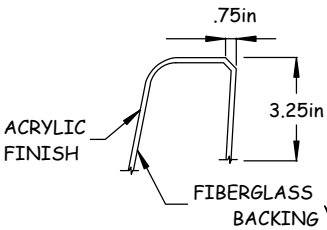
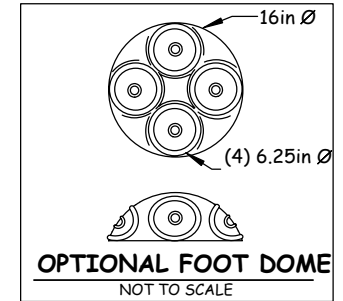
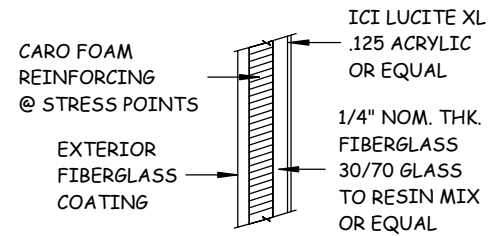


SPECIFICATIONS

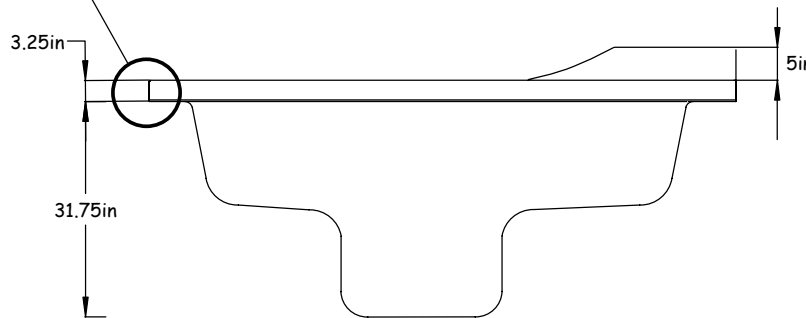
- 90"L X 90" W X 35" DEEP
- WATER VOLUME - 480+/- GAL
- SEATS 5 ADULTS
- SOFA CONTOUR
- LOUNGE CONTOUR
- SLIP RESISTANT STEPS & BOTTOM
- SHIP WEIGHT 555 LBS+/- WITH CRATE



PLAN
NOT TO SCALE



TYP. WALL SECTION
NOT TO SCALE



SECTION - AA
NOT TO SCALE

*NIAGRA AVAILABLE IN PLATINUM PACKAGE ONLY.
JET LOCATION AND QUANTITY
MAY VARY ACCORDING TO PACKAGE,
PLATINUM PACKAGE SHOWN.*

IZZI Bath & Spa
19250 N. U.S. Hwy 27
Clermont, FL 34711

TITLE:			
NIAGRA SPA			
SIZE:	DWG NO:	REV:	
A	1	1	
SCALE:	SHEET:		
AS NOTED	1 OF 2		

1-800-214-7440 ~ 352-394-8399 ~ Fax 352-394-2101